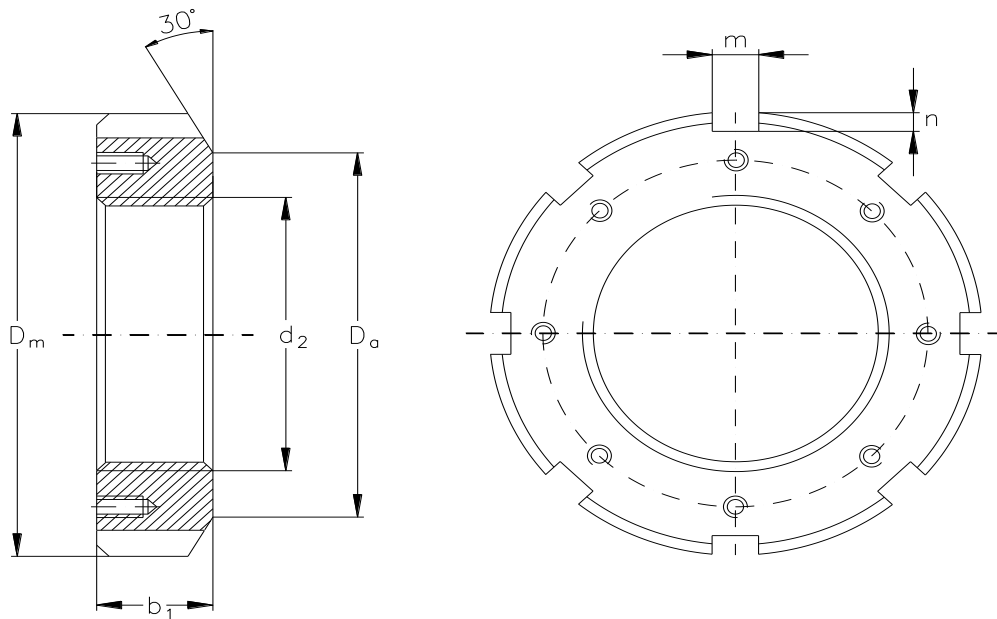


Piulițe de blocare seria HM30 și HM31



Filet	Dimensiuni					Masa ≈ Kg	Simbol piuliță	Simbol șaiță
	d2	Dm	b1	Da	m			
mm	mm	mm	mm	mm	mm	mm		
Tr220x4	260	30	242	20	9,0	3,090	HM3044	MS3044
Tr220x4	280	32	250	20	10,0	5,160	HM3144	MS3144
Tr240x4	290	34	270	20	10,0	5,160	HM3048	MS3048
Tr240x4	300	34	270	20	10,0	5,910	HM3148	MS3144
Tr260x4	310	34	290	20	10,0	5,670	HM3052	MS3048
Tr260x4	330	36	300	24	12,0	7,990	HM3152	MS3152
Tr280x4	330	38	310	24	10,0	6,780	HM3056	MS3056
Tr280x4	350	38	320	24	12,0	8,990	HM3156	MS3152
Tr300x4	360	42	336	24	12,0	9,620	HM3060	MS3060
Tr300x4	380	40	340	24	12,0	11,700	HM3160	MS3160
Tr320x5	380	42	356	24	12,0	9,940	HM3064	MS3064
Tr320x5	400	42	360	24	12,0	13,000	HM3164	MS3160